

MARINE BOILERS

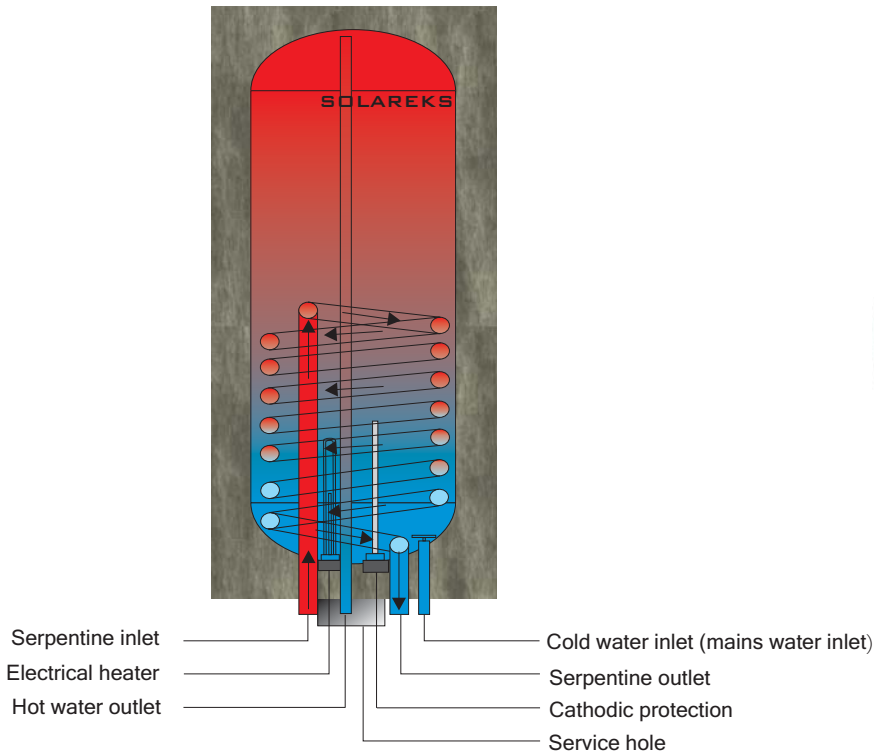
METRIC UNIT CATALOGUE

YACHT BOILER



SOLAREKS - MARINE BOILER

Boilers are designed to be used in yachts. Water can be heated with engine cooling liquid and electrical heater. While the engine is operating engine cooling liquid will pass through the serpentine which is located in boiler and heat the water. Thus the engine cooling liquid will heat the water, the saving of the energy will occur. While the engine is not working electrical heater will heat the water.



Technical characteristics

1- Water heating with using of the electrical heater and engine cooling liquid.

While the engine is operating engine cooling liquid will pass through the serpentine which is located in boiler and will heat the water. Thus the heater will not operate the energy will be saved. When the engine is not working the electrical heater will heat the water.

2- Anti-corrossion protection and hygiene

Boilers inner tank is produced of high quality stainless steel to have a hygienic storage. Thus the boilers are protected by cathodic protection method against corrosion they have the long useful life.

3- Insulation

Boilers are insulated with polyurethane for avoidance of the heat loss.

4- Temperature adjustment

By thermostat heating temperature of the electrical heater can be done easily .

5- Esthetic design

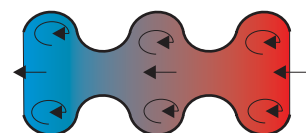
Boilers have great esthetic appearance because of the stainless steel coverage.

6- Long useful life

Boilers are made of stainless steel that is why they have long useful life.

7- High efficient heat transfer

Because of the special design of the pipe the constant water heating is provided.



8- Both horizontal and vertical installation possibility

Because of that boiler can be installed both horizontally and vertically it can be placed in every place even not common for yachts.

9- Production from the high technology materials

Boilers are made of high technology stainless steel answering world standards.
They produced by Tig welding method. Products are packed after conducting of all the quality tests.

10- Safety

Boiler has thermostat and additional safety thermostat which is used when main thermostat is broken down.
For avoidance the beginning of the working of boiler without water inside, boiler equipped with non-return valve.
Safety valve is used when the high pressure occurs.

11-Packing

Products are packed in the cartoon box

12- Warranty

5 years

Note: Electrical heaters are out of warranty

Technical characteristics

Capacity (US Gallons)	5.28	6.6	7.92	10.56	15.85	19.81	
Anticorrosion protecton	Stainless sleet - Cathodic protection						
Outer coverage	Outer coverage from stainless steel						
Insulation	Polyurethane						
Diameter (inches)	18.3xØ14.76	22.83xØ14.76	25.19xØ14.76	30.7xØ14.76	41.33xØ14.76	51.18xØ14.76	
Weigth (Lbs)	23	27	29	33	42	50	
Working pressure	90 Psi						
Test Pressure	130 Psi						
Thermostat Heater (BTU/Hr) 110 Volt/220 Volt Monophase	2,731	2,731	2,731	4,097	4,097	4,097	
Time of the heating by electrical heater (min.) considering heating from 50°F up to 122°F	70	87	105	93	139	174	
Serpentine heating capacity Engine Cooling Liquid	5.28	6.6	7.92	10.56	15.85	19.81	
Heating time (Gallons/hour) considering heating from 50°F up to 122°F	176°F	11.8	14.5	17.1	25	38.3	51.5
	158°F	10.3	12.6	15.3	20.6	30.3	40.9
	140°F	7.9	9.5	11.8	15.8	23.7	31.7

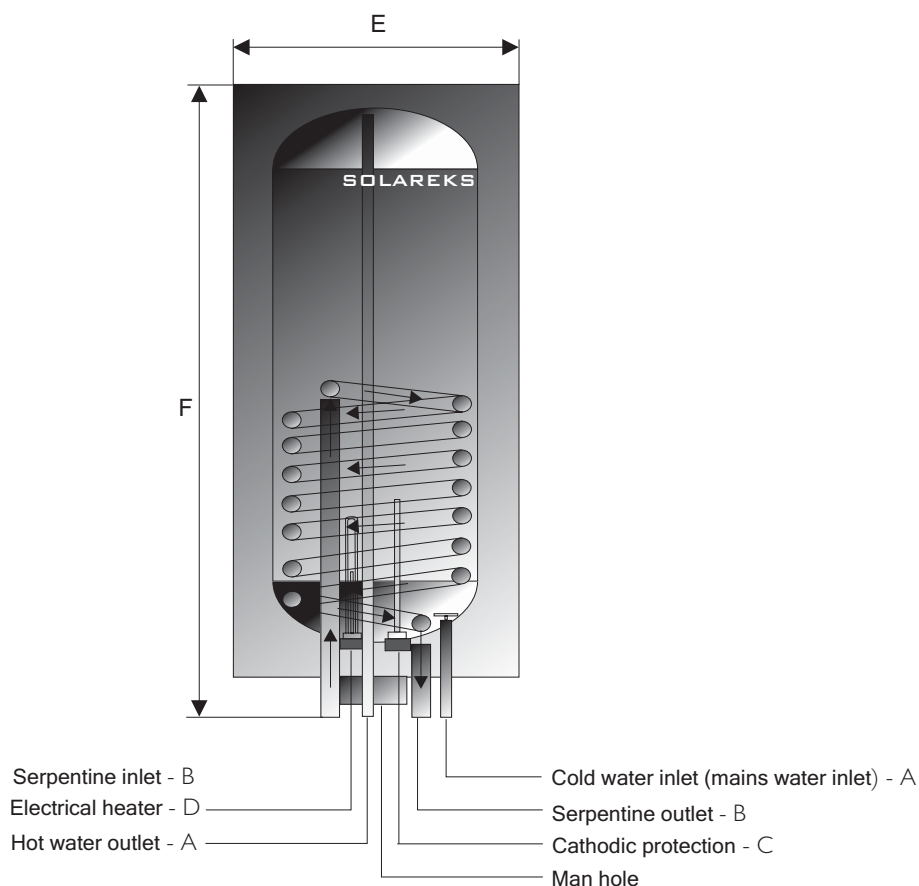
Technical characteristics of the material

	Material	ASTM (USA)	EN (Europe)	UNS (USA)	BS (Great Britaine)	JIS (Japan)	NF (France)	SIS (Sweden)	GOST (Russia)
Inner tank	Stainless steel	316 L	1.4432 - X5 CrNiMo 17-12-3	S31603	316S13	SUS 316 L	Z 3 CND 17-12-03	2353	03Ch17N14M3
Serpentine	Stainless steel	316 L	1.4432 - X5 CrNiMo 17-12-3	S31603	316S13	SUS 316 L	Z 3 CND 17-12-03	2353	03Ch17N14M3
Electrical heater	Stainless steel	316 L	1.4432 - X5 CrNiMo 17-12-3	S31603	316S13	SUS 316 L	Z 3 CND 17-12-03	2353	03Ch17N14M3
Cathodic protection	Magnesium	ASTM - B843AZ63(H-1)							
Insulation	Polyurethane	DIN - 4102							
Outer coverage	Stainless steel	304 L	1.4306 - X12 CrNi 19- 11	S30403	304S11	SUS 304 L	Z 3 CN 18-10	2352	03Ch18N11
Installation acc.	Stainless steel	304 L	1.4306 - X12 CrNi 19- 11	S30403	304S11	SUS 304 L	Z 3 CN 18-10	2352	03Ch18N11

Optionally

- For special capacity&design of electrical heater please contact Solareks.

Dimensions



Capacity (US Gallons)	5.28	6.6	7.92	10.56	15.85	19.81
A- Mains water outlet/inlet	1/2"	1/2"	1/2"	1/2"	1/2"	1/2"
B- Serpentine inlet/oulet	3/4"	3/4"	3/4"	3/4"	3/4"	3/4"
C- Cathodic protection-Ø 1 (inch)	9.8	9.8	9.8	9.8	9.8	9.8
D- Thermostat Heater (BTU/HR) 110 Volt/220Volt Monophase	2,731	2,731	2,731	4,097	4,097	4,097
E- Diameter (inch)	14.76	14.76	14.76	14.76	14.76	14.76
F- Height (inch)	18.3	22.83	25.19	30.7	41.33	51.18
G- Weight (Lbs.)	23	27	29	33	42	50

SI-METRIC Conversions

Liters x 0,2641 = US Gallons

kg x 2,2 = Lbs

Liters x 0,219975 = Great Britain Gallons

m³ x 264,2 = Gallons

Watt x 3,41214 = BTU/hr

m x 39,37 = Inch

°F = (°C x 1,8) + 32

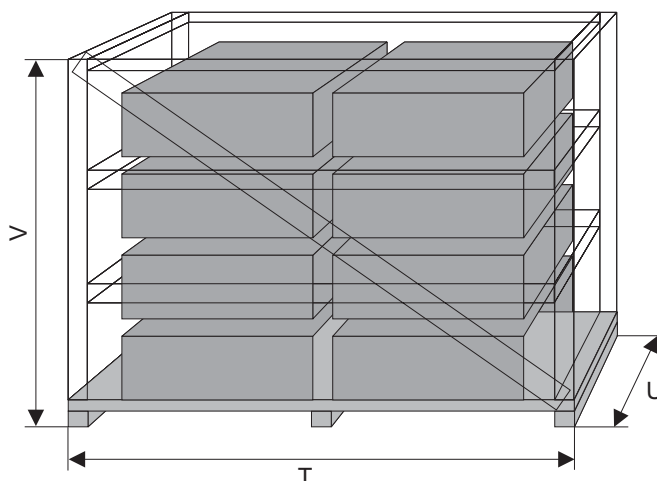
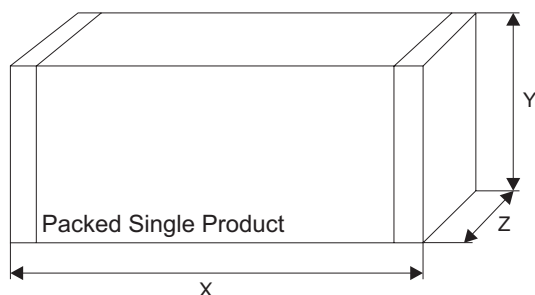
m x 3,28084 = Foot

Bar x 14,5 = psi

PACKING&SHIPPING DETAILS

Packing Method

Capacity (US Gal.)	Packing
5.28 - 19.81 lt	Nylon + Cartoon Box



Packed Product Dimensions

Capacity (US Gal.)	Volume (ft ³)	Weight (Lbs)	X x Y x Z (inches)	Quantity in a Woodbox	Woodbox Dimensions* T x U x V (inches)
5.28	3.17	26.4	19.68x16.33x16.33	20 piece	39.37 x 47.24 x 80.70
6.6	3.88	30.8	23.62x16.33x16.33	20 piece	39.37 x 47.24 x 80.70
7.92	4.23	34.1	26.77x16.33x16.33	20 piece	55.12 x 47.24 x 80.70
10.56	4.94	37.4	32.28x16.33x16.33	20 piece	66.93 x 47.24 x 80.70
15.85	6.70	46.2	42.91x16.33x16.33	20 piece	86.61 x 47.24 x 80.70
19.81	8.12	55	52.75x16.33x16.33	20 piece	108.23 x 47.24 x 80.70

* Euro-norm Palette&Woodbox Dimensions.

Container&Truck Dimensions

	Height x Width x Length (Foot)	Volume (ft ³)
20" Container	7'10" x 7'8" x 19'4"	1,172
40" Container	7'10" x 7'8" x 39'5"	2,390
40" High Cube Container	8'10" x 7'8" x 39'5"	2,694
Truck (Euro Norm)	8'2" x 8'1" x 40'11"	2,898



Contact information

SOLAREKS

Address: Imes San. Sitesi A Blok 106, 48, Yukari Street, Dudullu, Istanbul, TURKEY

Postal code: 8126

Phone: (0090) 216 314 85 80

Fax: (0090) 216 364 10 29

For english: (0090) 532 685 96 30

www.solareks.com.tr
info@solareks.com.tr

www.solareks.com
info@solareks.com

www.solareksboiler.com
www.marine-boiler.com

All Rights Reserved. No part of this technical catalog may be reproduced, stored in a retrieval system, or transmitted, in any form or by any means, electronic, mechanical, photocopying, recording or otherwise, without the prior permission of the Copyright owner. For information regarding permission, write to: info@solareks.com

Although we will make every effort to give notice, Specifications subject to change without notice.

© Solareks Güneş Enerjisi Sistemleri Alper Uysal 2005